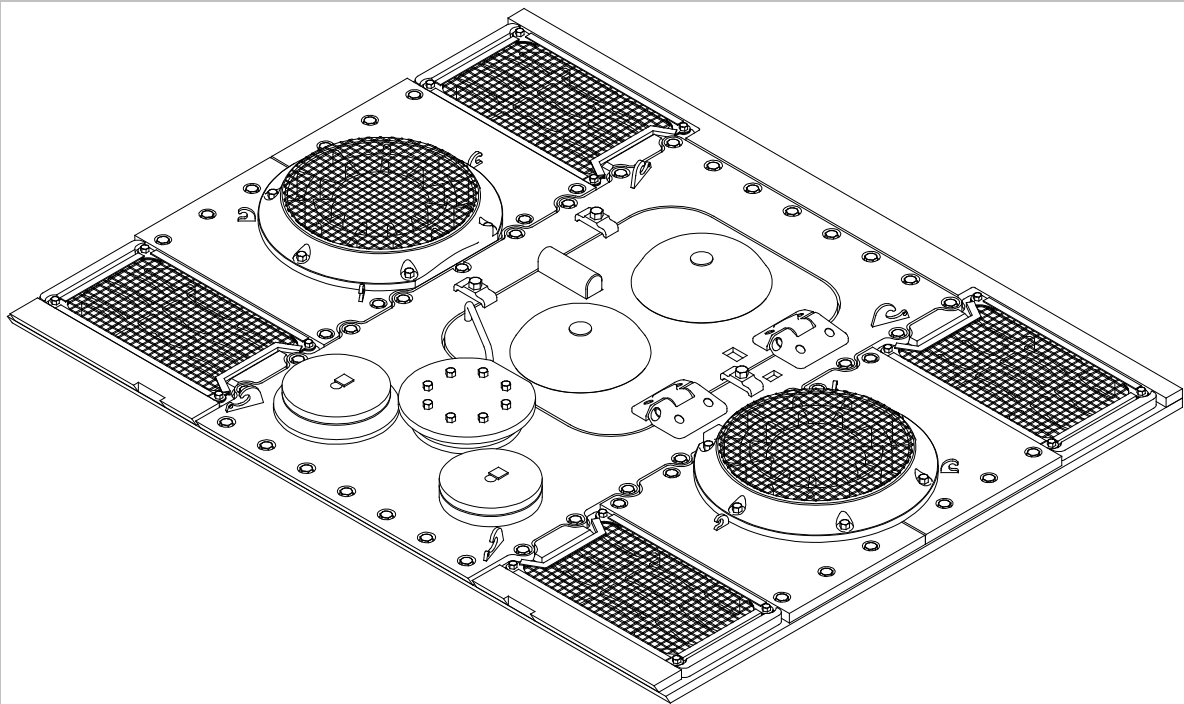


WECOHE

Assembly Instructions for 1:16 Kingstiger / Jagdtiger engine screen covers (standard version)



***Read these instructions carefully and review the drawings before
you start the assembly!***

The manufacturer doesn't take any responsibility neither of any damage or malfunction caused by modifying original parts nor caused by using this product!

WECOHE

Assembly instructions for 1:16 Kingtiger / Jagdtiger engine screen covers (standard version)

Preparation

You need to have the following tools at hand:

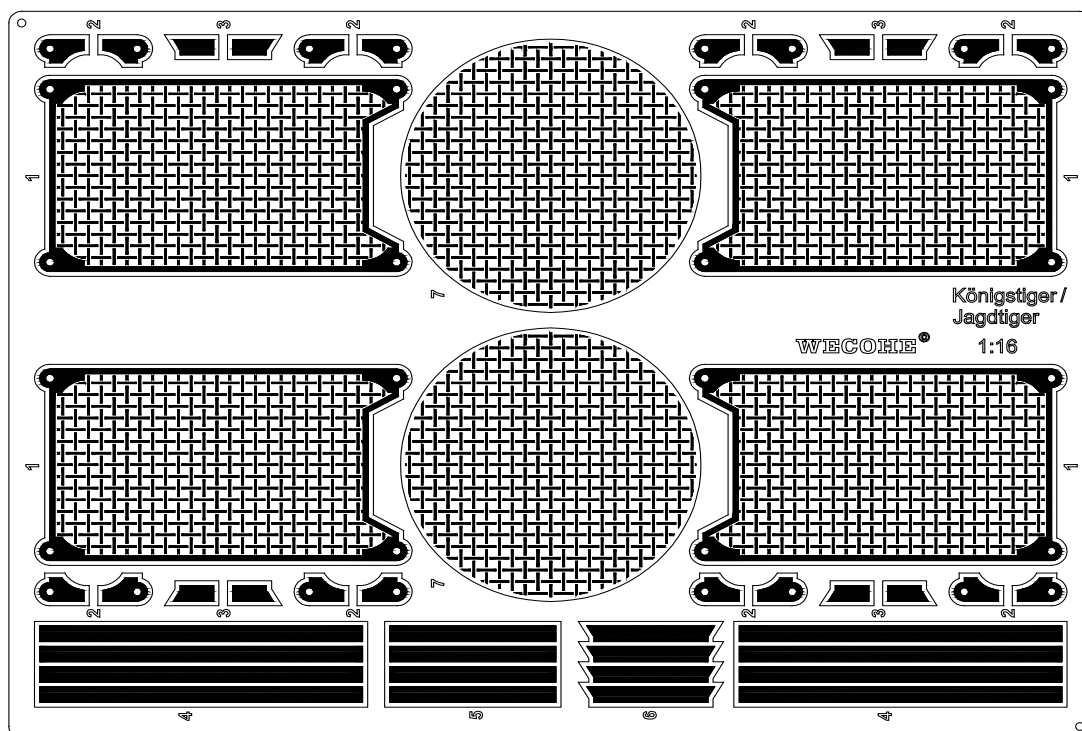
- Sharp knife or razor saw
- Needle - nosed or flat nose pliers
- Pair of tweezers
- an assortment of files
- an assortment of twisted drills 0,8 - 1,0 mm
- sanding paper (400/120)
- soldering iron (optional)

The use of a „hold and fold“ tool is recommended, although not necessary, while working on photoetched parts. The „hold and fold“ is available, for example, from "the small shop" via internet.

Photoetched parts could be soldered together (recommended) or glued with cyanoacrylat. Cement metal parts to plastic with cyanoacrylat or epoxy glue. Always degrease parts before soldering or gluing them!

Parts and components overview:

PE - parts



Also content of set:

- 250mm od brass wire (ϕ 0,5 mm)
- 16 hexagonal screws (M 0,8)

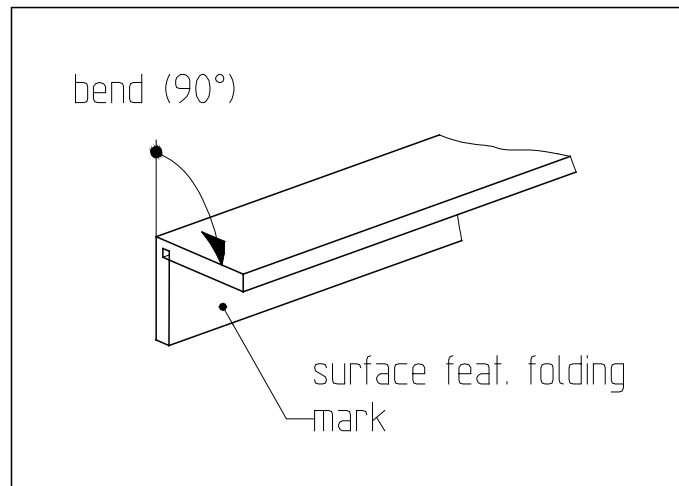
WECOHE

Assembly instructions for 1:16

Kingtiger / Jagdtiger engine screen covers (standard version)

Processing (example):

While working on a PE-part, please take care of it's folding marks to be on the inner surface of part after bending process!



Take care to bend parts along the whole length of the belonging bending mark! Bend over a sharp edged device to minimize shift, so that the accuracy of the finished part is ensured!

WECOHE

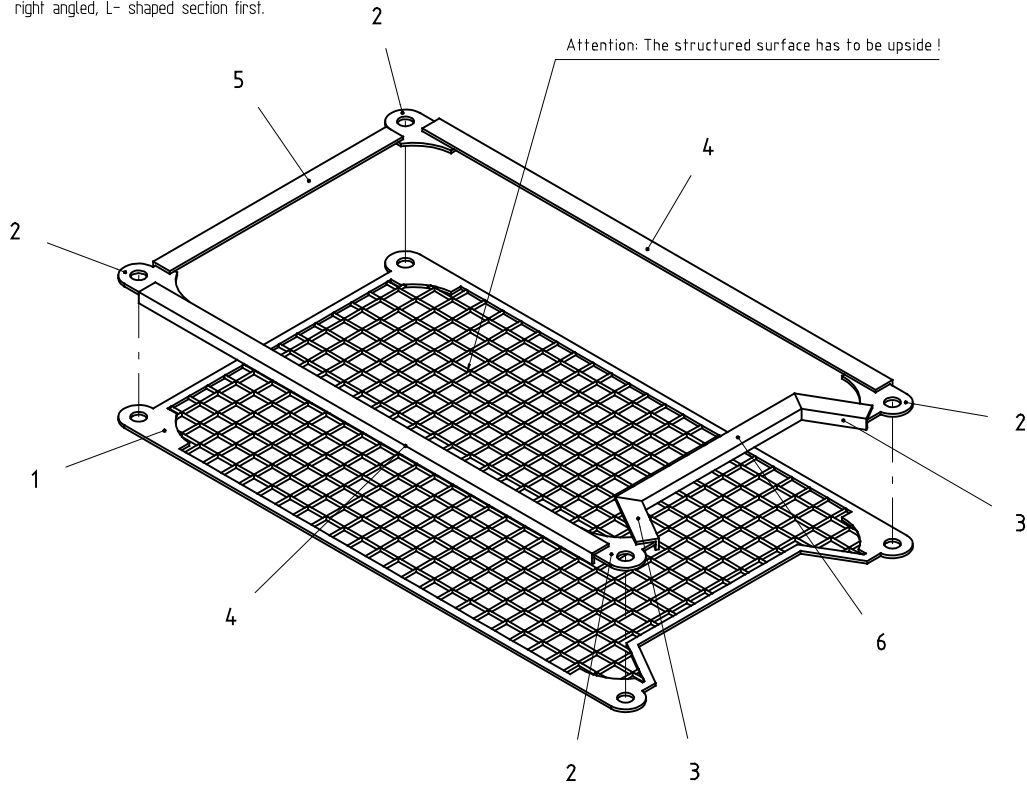
Assembly instructions for 1:16 Kingtiger / Jagdtiger engine screen covers (standard version)

Step 1

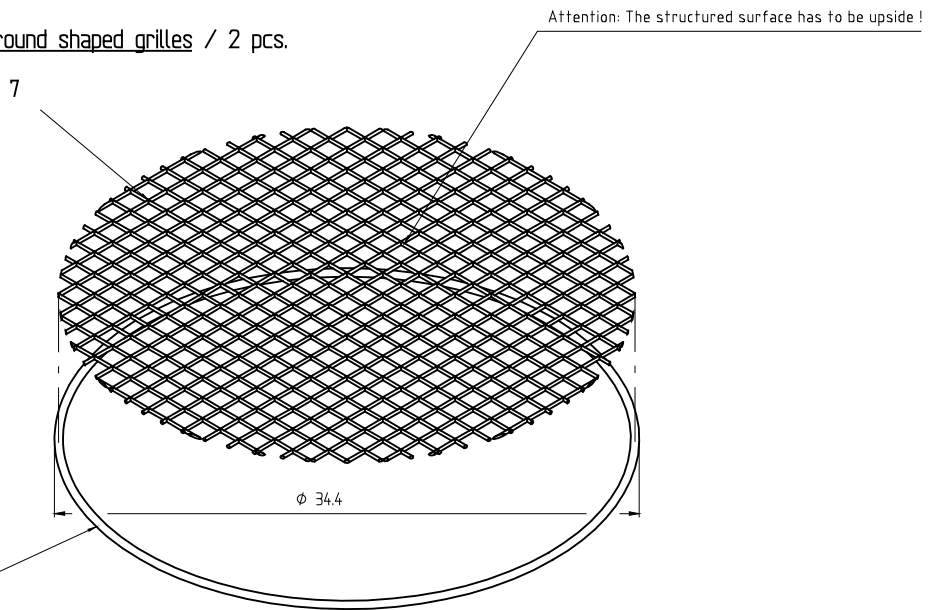
Assembly of rectangular shaped grilles / 4 pcs.

Note:

parts 3, 4, 5 and 6 have to be bended to a right angled, L- shaped section first.



Assembly of round shaped grilles / 2 pcs.

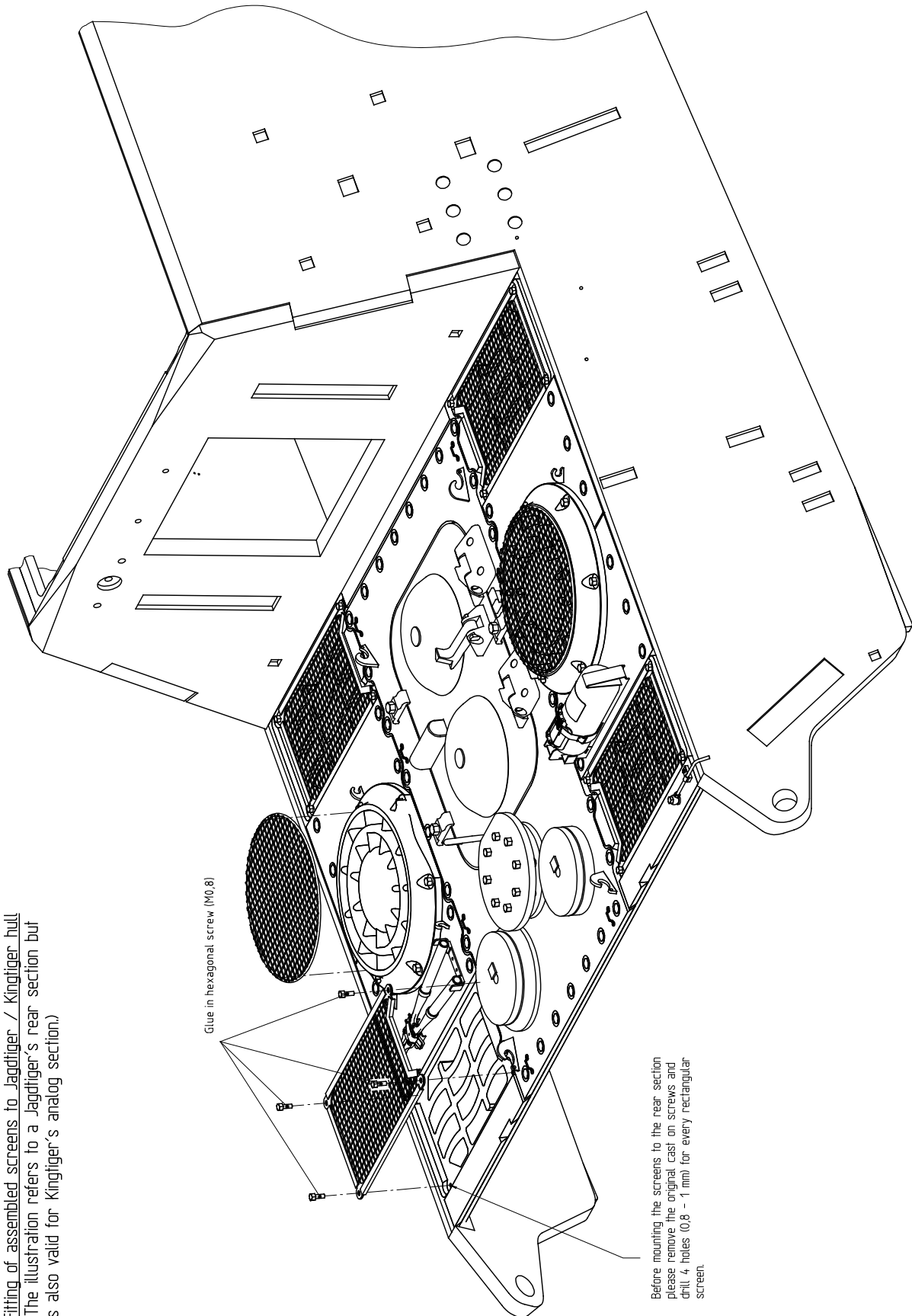


Bend brass wire to a round shaped circle (featuring an outer diameter of 34,4 mm) and solder the ends together (recommended)

WECOHE

Assembly instructions for 1:16 Kingtiger / Jagdtiger engine screen covers (standard version)

Step 2



Fitting of assembled screens to Jagdtiger / Kingtiger hull
(The illustration refers to a Jagdtiger's rear section but
is also valid for Kingtiger's analog section)

Glue in hexagonal screw (M0.8)

Before mounting the screens to the rear section
please remove the original cast on screws and
drill 4 holes (0.8 - 1 mm) for every rectangular
screen.

WECOHE

Assembly instructions for 1:16

Kingtiger / Jagdtiger engine screen covers (standard version)

Thank you for your purchase of our products and Happy Tanking!

For questions, please refer to our website, how to contact us.

*The **WECOHE** – Team*

www.WECOHE.de